

Freedom Eco Workstation

Job Name

Job Address:

Job Number:

Contact

Contact Number:

Date: 16/02/2021 Scale: NTS

Drawing Number: 10241-2-A

Designed By: Morné Araujo

Approval By:

Approval Date:

Signed:

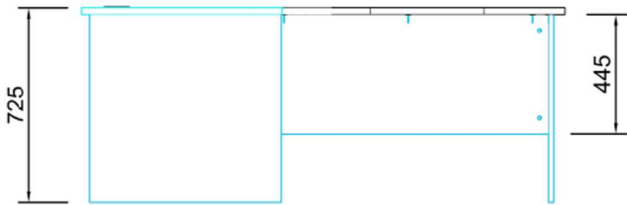
Materials:

Colour:

Top: MDF/Particle 25mm

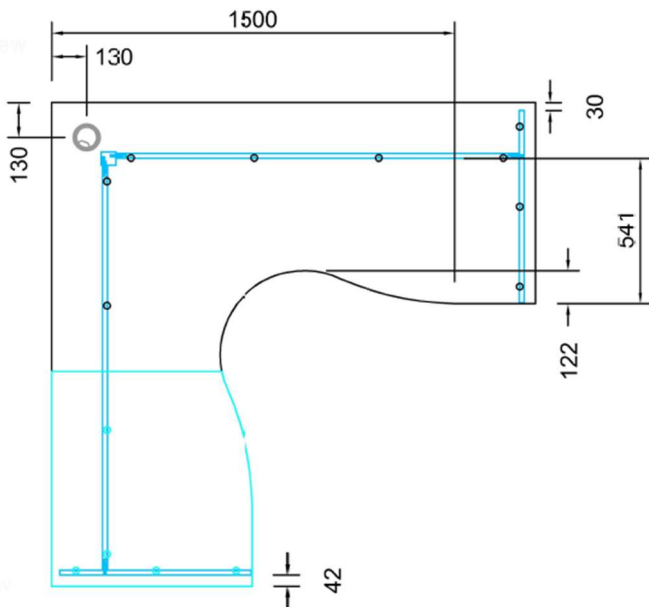
Base: MDF/Particle 18mm

Notes:



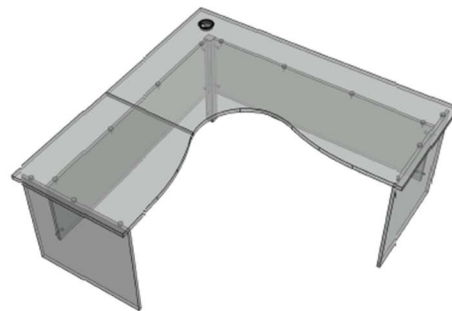
Front View

Left View



Top View

Isometric



EcoTech Freedom Corner Workstation:

This workstation provides the user that extra desk space and reach due to the special shape of the corner.

This workstation sizes can be from 1500 x 600 LHS by 1500 x 600 RHS upwards.

The minimum workstation depth is to allow space for standard mobiles to fit.

Grain direction goes towards the bigger side of the workstation.

This desk can be made so that the return is 1800 wide if a bigger top is required it can be done in 2 pieces with the wing as a standard to the smaller side of the desk.

Please contact us regarding standard colours if required.

Key Notes:

- 25mm Top
- 18mm Base (Gables & Modesty)
- 50x50mm Aluminium Corner Leg
- Cam and Pin Construction
- 80mm Cable port

Extras:

- Adjustable Feet Under Gables
- 450 x 50 Scallop